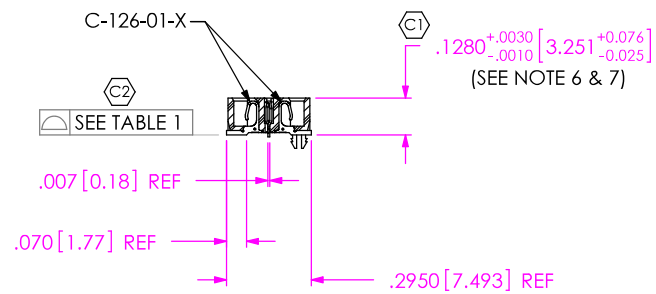
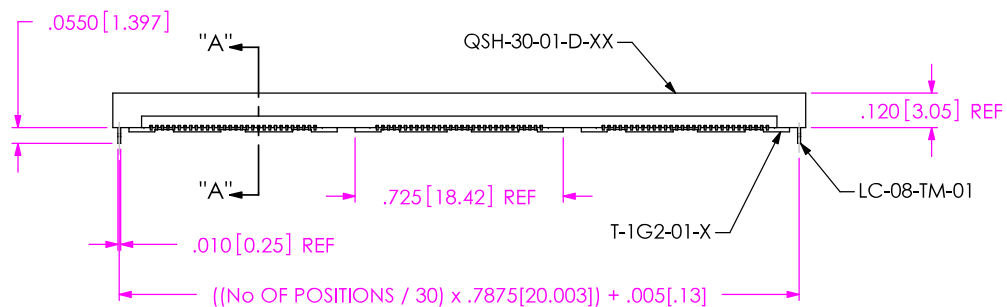
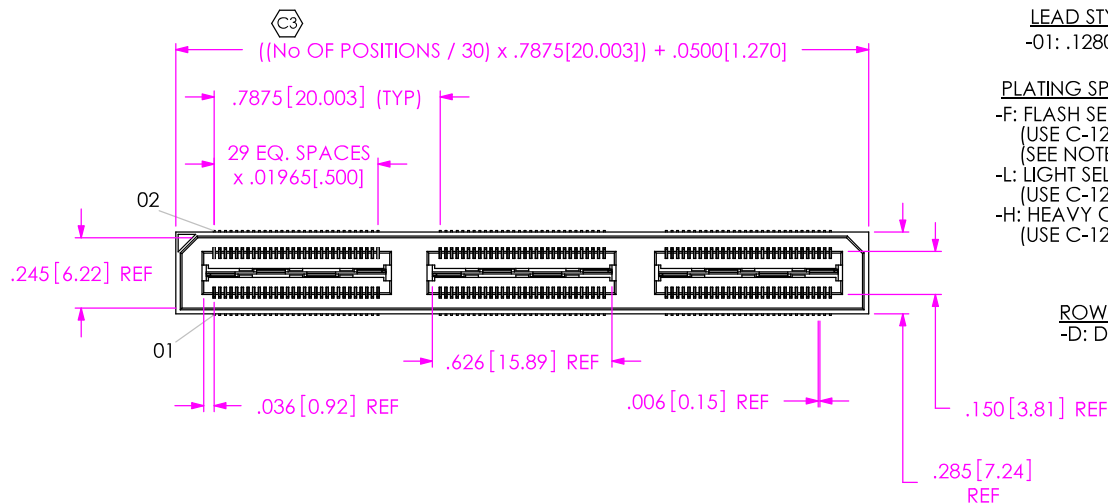


FIG. 1

-LC: LOCKING CLIP OPTION SHOWN



SECTION "A"- "A"

DO NOT SCALE FROM THIS PRINT

No OF POSITIONS
 -030, -060, -090,
 -120, -150
 (PER ROW)

LEAD STYLE
 -01: .1280[3.25]

PLATING SPECIFICATION
 -F: FLASH SELECTIVE GOLD
 (USE C-126-01-F, T-1G2-01-F)
 (SEE NOTE 8)
 -L: LIGHT SELECTIVE GOLD
 (USE C-126-01-L, T-1G2-01-G)
 -H: HEAVY GOLD
 (USE C-126-01-H, T-1G2-01-G)

ROW SPECIFICATION
 -D: DOUBLE (USE QSH-30-01-D-XX)

OPTION
 -A: ALIGNMENT PINS
 (USE QSH-30-01-D-XX-A,
 SEE FIG. 2)
 -LC: LOCKING CLIPS
 (USE LC-08-TM-01)
 -GP: GUIDE POSTS
 (USE QSH-30-01-D-XX-X-GP)
 (SEE FIG. 4, SHEET 3)
 (TAPE & REEL FOR -GP, 60 POS MAX)
 -K: POLYAMIDE FILM PAD
 (USE K-850-650, SEE FIG. 3)
 -TR: TAPE & REEL (90 POS MAX)
 -TY: TRAY PACKAGING
 (NOT AVAILABLE WITH -TR)
 -FL: FRICTION LOCKS
 (SEE FIG. 5, SHEET 3)
 (NOT AVAILABLE WITH -GP)
 -RT1: RETENTION (MUST USE -A OPTION)
 (USE QSH-30-01-D-XX-A-RT1
 & SUB-SC-05-01-FF) (SEE FIG. 6, SHEET 3)
 (NOT AVAILABLE WITH -LC, -GP, OR -FL)
 (NOT AVAILABLE WITH -120 & -150 POS)

No OF BANKS

R

- NOTES:
1. (C3) REPRESENTS A CRITICAL DIMENSION.
 2. NOTE DELETED.
 3. CONTACT RETENTION: 8 OZ. MINIMUM.
 4. GROUND PLANE RETENTION: 8 OZ. MINIMUM.
 5. BURR ALLOWANCE: .0015[.038] MAX.
 6. MAX VARIANCE: .002[.05].
 7. DIMENSION APPLIES TO CONTACT & GROUND PLANE.
 8. -L PLATING CAN BE SUBSTITUTED FOR -F PLATING,
 -G PLATED GROUND PLANE CAN BE SUBSTITUTED FOR -F PLATED GROUND PLANE.
 9. SUB-SC-05-01-XX RETENTION TO BE 1.0 LBF IN BODY.

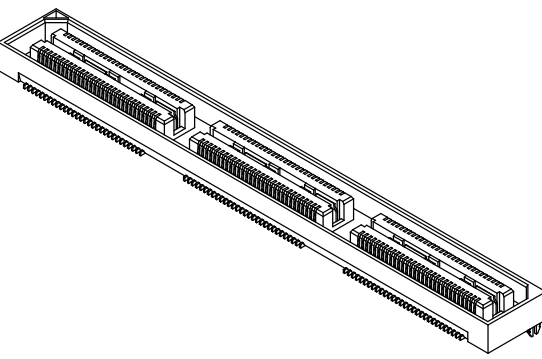


TABLE 1	
No OF POS	COPLANARITY INCLUDING GROUND PLANE
-030 THRU -060	.0040[.102]
-090 THRU -150	.0060[.152]

UNLESS OTHERWISE SPECIFIED, DIMENSIONS ARE IN INCHES.
 TOLERANCES ARE:
 DECIMALS ANGLES
 .XX: $\pm .01[.3]$ 2°
 .XXX: $\pm .005[.13]$
 .XXXX: $\pm .0020[.051]$

PROPRIETARY NOTE
 THIS DOCUMENT CONTAINS INFORMATION CONFIDENTIAL AND PROPRIETARY TO SAMTEC, INC. AND SHALL NOT BE REPRODUCED OR TRANSFERRED TO OTHER DOCUMENTS OR DISCLOSED TO OTHERS OR USED FOR ANY PURPOSE OTHER THAN THAT WHICH IT WAS OBTAINED WITHOUT THE EXPRESSED WRITTEN CONSENT OF SAMTEC, INC.

SAMTEC

520 PARK EAST BLVD. NEW ALBANY, IN 47150
 * PHONE: 812.944.6733 FAX: 812.948.5047
 e-Mail: INFO@SAMTEC.COM CODE: 55322

MATERIAL: DO NOT SCALE DRAWING SHEET SCALE: 1.5:1
 INSULATOR: BLACK LCP
 CONTACT & GROUND PLANE: PHOS BRONZE

DESCRIPTION:
 .5mm DOUBLE ROW HS SOCKET ASSEMBLY
 DWG. NO. QSH-XXX-01-X-D-XX
 BY: DEAN P 05/21/1999 SHEET 1 OF 3

FIG. 2
-A: ALIGNMENT PIN OPTION

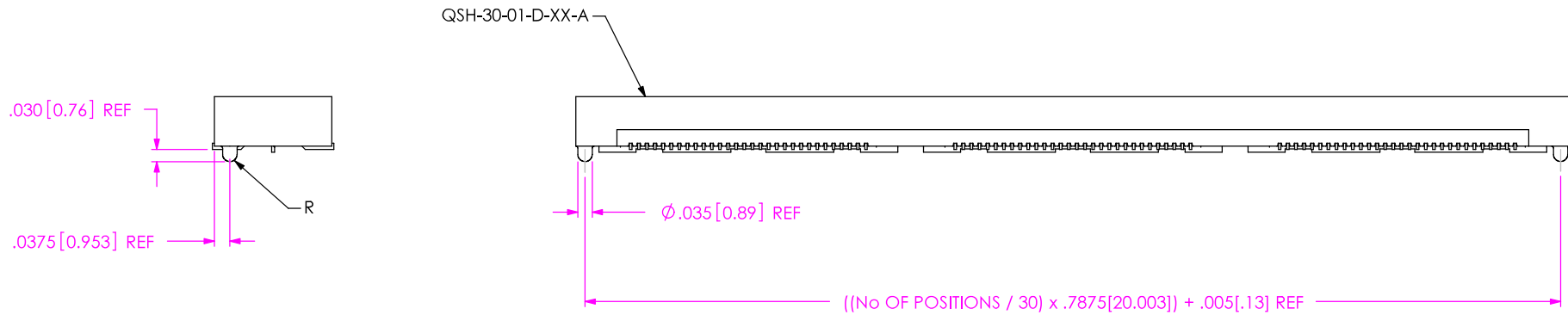
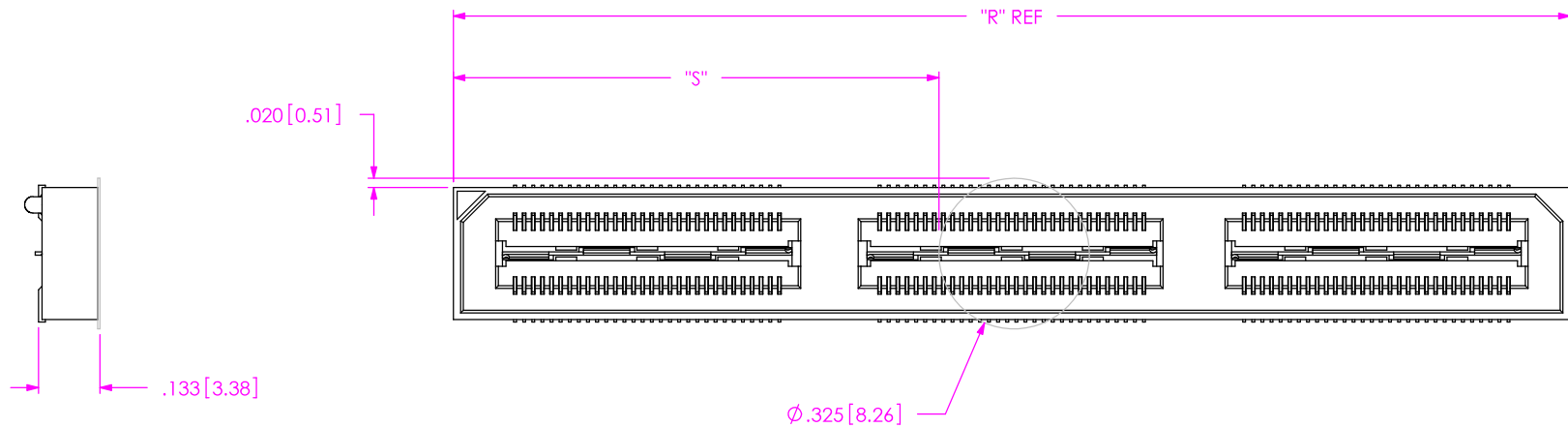


FIG. 3
-K: POLYAMIDE FILM PAD
[USE K-850-650]



NOTE: "R" = $((\text{No OF POSITIONS} / 30) \times .7875 [20.003]) + .050 [1.27]$
 "S" = $((\text{"R"} - .325 [8.26]) / 2) \pm .020 [0.51]$

PROPRIETARY NOTE
 THIS DOCUMENT CONTAINS INFORMATION CONFIDENTIAL AND PROPRIETARY TO SAMTEC, INC. AND SHALL NOT BE REPRODUCED OR TRANSFERRED TO OTHER DOCUMENTS OR DISCLOSED TO OTHERS OR USED FOR ANY PURPOSE OTHER THAN THAT WHICH IT WAS OBTAINED WITHOUT THE EXPRESSED WRITTEN CONSENT OF SAMTEC, INC.

DO NOT SCALE DRAWING

SHEET SCALE: 2.5:1

SAMTEC

520 PARK EAST BLVD, NEW ALBANY, IN 47150
 * PHONE: 812.944.6733 FAX: 812.948.5047
 e-Mail: INFO@SAMTEC.COM CODE: 55322

DESCRIPTION:
 .5mm DOUBLE ROW HS SOCKET ASSEMBLY

DWG. NO.
QSH-XXX-01-X-D-XX

BY: DEAN P 05/21/1999 SHEET 2 OF 3

FIG. 4

-GP: GUIDE POSTS
(SAME AS FIG. 1, UNLESS OTHERWISE STATED)

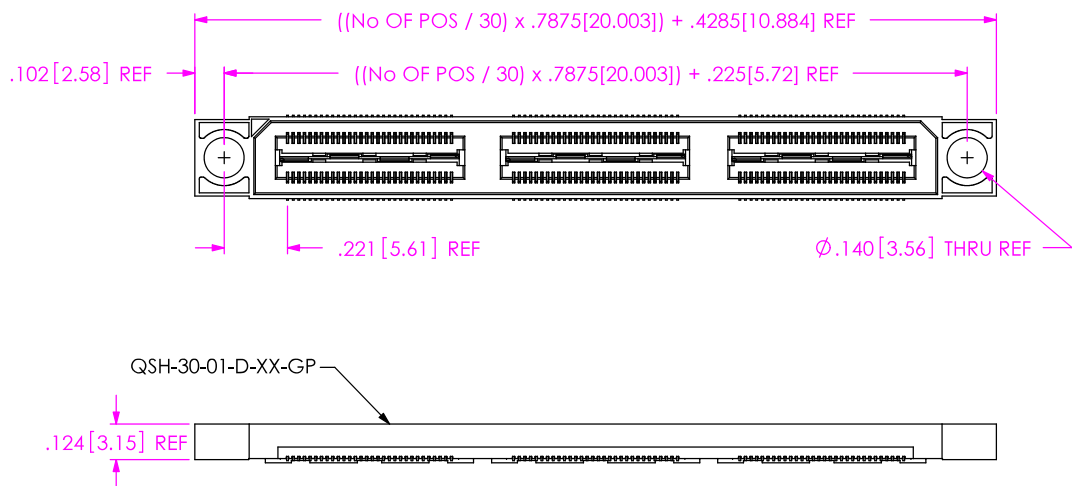
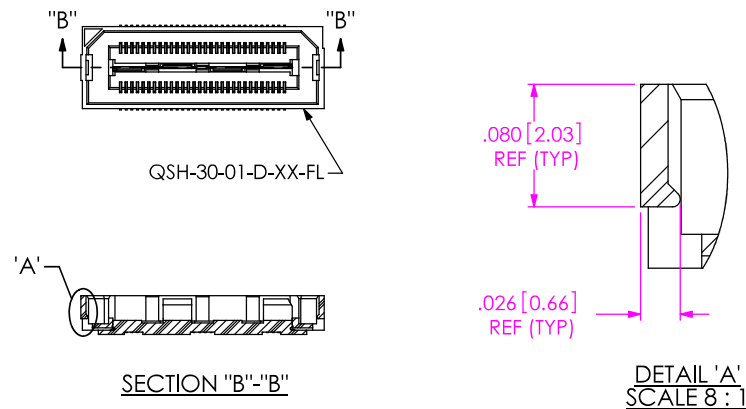
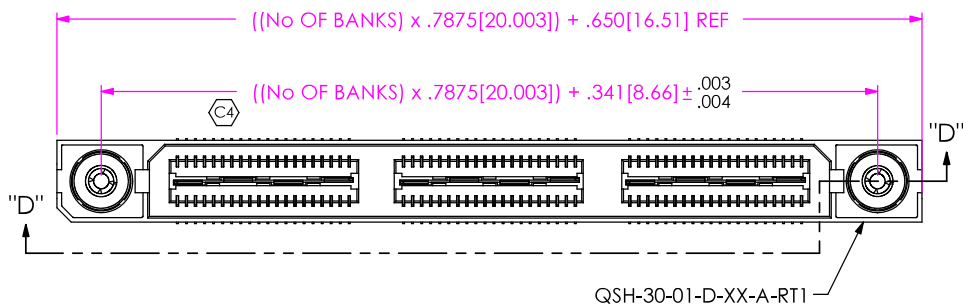


FIG. 5

-FL: FRICTION LOCKS
(NOT AVAILABLE WITH -GP OPTION)
(SAME AS FIG. 1, UNLESS OTHERWISE STATED)



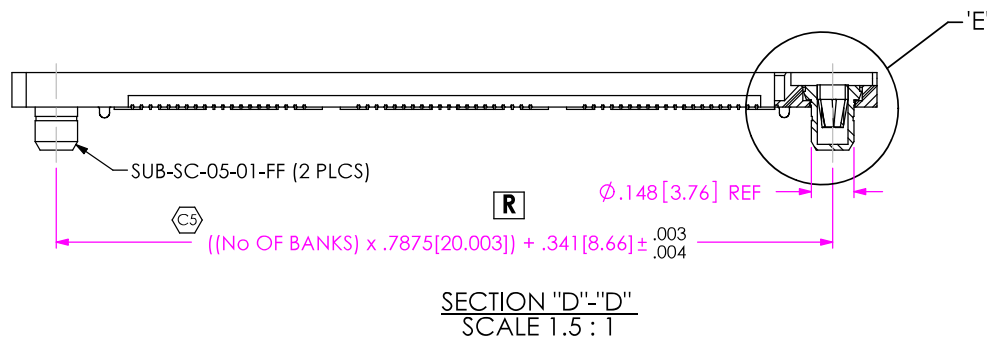
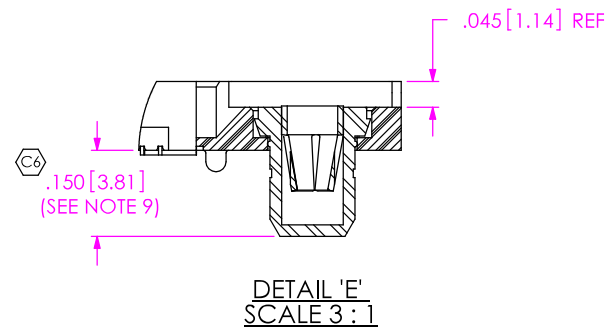
R



R

FIG. 6

-RT1: RETENTION OPTION
(MUST USE -A OPTION)
(NOT AVAILABLE WITH -LC, -GP, OR -FL OPTIONS)
(NOT AVAILABLE WITH -120 & -150 POS)
(SAME AS FIG. 1, UNLESS OTHERWISE STATED)



PROPRIETARY NOTE

THIS DOCUMENT CONTAINS INFORMATION CONFIDENTIAL AND PROPRIETARY TO SAMTEC, INC. AND SHALL NOT BE REPRODUCED OR TRANSFERRED TO OTHER DOCUMENTS OR DISCLOSED TO OTHERS OR USED FOR ANY PURPOSE OTHER THAN THAT WHICH IT WAS OBTAINED WITHOUT THE EXPRESSED WRITTEN CONSENT OF SAMTEC, INC.

DO NOT SCALE DRAWING

SHEET SCALE: 1.5:1

SAMTEC

520 PARK EAST BLVD, NEW ALBANY, IN 47150
* PHONE: 812.944.6733 FAX: 812.948.5047
e-Mail: INFO@SAMTEC.COM CODE: 55322

DESCRIPTION:
.5mm DOUBLE ROW HS SOCKET ASSEMBLY

DWG. NO. QSH-XXX-01-X-D-XX

BY: DEAN P 05/21/1999 SHEET 3 OF 3